



**PRODUCT APPROVAL OF PACKAGING
FOR TRANSPORTATION OF DANGEROUS GOODS
CERTIFICATE NO.: NET2302C**

HOLDER OF CERTIFICATE:

AS Batteriretur

MANUFACTURER: Glomma Papp AS, Statsminister Torps vei 17, 1701 Sarpsborg

MARKING ON PACKAGING:  **4G/Y10/S/YR/N/NET2302C- ID**

"YR" to be replaced with the two last digits of the year.

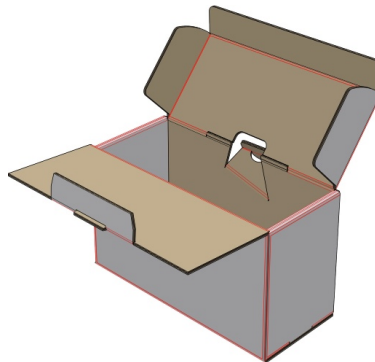
"ID" to be replaced by any identification as decided by the manufacturer.

PRODUCT:

Packaging code	Description	Drawings	Material
4G, Fibreboard boxes	Self locking	202544 v.8	Bølgepapp BB27c

CLOSING MECHANISM:

#: Closure type
Self locking
PVC tape 48*0.04 mm. 2 pc. over the edge next to the self locking flip



DIMENSIONS:

Packaging weight, g	Volume, l	Length, mm	Width, mm	Height, mm
379	9.7	325	152	198

APPROVAL:

The certificate is valid for a maximum of five years, provided no modifications have been made to the packaging design, materials, dimensions, closure system or manner of construction. To ensure validation of the certificate, check the NET website.

NET issues the certification on described product according to delegated authority from Norwegian Directorate for Civil Protection and Emergency Planning (DSB): Legal regulations for Transportation of Dangerous Goods on road and railway - 06/6950-7/BJRU.

REGULATIONS BASED UPON FOR APPROVAL:

UN Recommendations on the Transport of Dangerous Goods.

ADR, European Agreement concerning the International Carriage of Dangerous Goods by Road.

RID, International Regulations on Transport of Dangerous Goods by Rail.

IMDG, International Maritime Dangerous Goods Code, for sea transport.

ICAO, Technical Instructions for the Safe Transport of Dangerous Goods by Air.

IATA, Dangerous Goods Regulations, for the air transport.

APPROVAL IS VALID FOR:

The packaging shall always be used according to the requirement of the applicable UN-code, and for this box especially packaging instruction P909.

Content	Max. gross weight, kg	Packaging group
Lithium Metal Batteries, UN3090	10	II and III

DOCUMENTS BASED UPON FOR APPROVAL:

Report id.	Date	Issued by	Scope
NET2302C	16.08.17	NET	Type approval

PORSRUNN, NORWAY

24.08.2017 CERTIFICATE IS VALID UNTIL:

31.08.2022


Geir Morten Johansen
Certification Officer



Rune Madsen Fink
Control Officer

Nordisk Emballasje Testing AS Certification