

**TYPE APPROVAL OF PACKAGING FOR
TRANSPORTATION OF DANGEROUS GOODS
CERTIFICATE NO.: NET3251C**

HOLDER OF CERTIFICATE:
DS Smith Packaging Sweden AB

MANUFACTURER: DS Smith Packaging Sweden AB, Bangårdsgatan 2-4, SE-331 26
Värnamo, SWEDEN

MARKING ON PACKAGING:

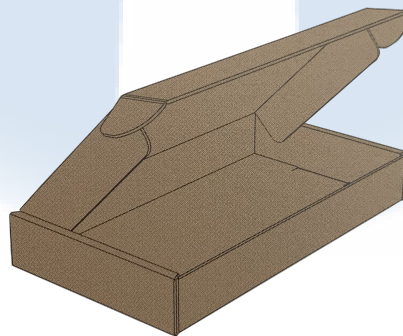
Each packaging intended for use according to the ADR shall bear markings which are durable, legible and placed in a location as to be readily visible. Letters, numerals and symbols shall be at least 12 mm high.

Ⓢ **4G/YKG/S/YR/N/NET3251C-ID**

- Ⓢ : The United Nations symbol
- 4G : Fibreboard boxes
- YKG : Packaging group II and III, max gross mass in kg, see content table
- S : Intended for carriage of solids or inner packagings, see content table
- YR : To be replaced with the year (last two digits) of manufacture
- N : Norway, the state authorizing the allocation of the mark
- NET3251C - ID : Identification of the packaging followed by "ID" to be replaced by the name of the manufacturer

PRODUCT:

Description/ Method of manufacture	Manufacturer´s joint	Material
FEFCO 0427, folder type	None	Corrugated fibreboard, double wall board, details in report



DIMENSIONS:

Volume, l	L*W*H, mm	Drawing
50.4	730*365*186	M103827

CLOSING MECHANISM:

Closure type
1: Self locking box

INNER PACKAGING:

Type	Producer	Thickness at least	Tear resistance at least, MD/TD	Seal Strength at least
Plastic bag	Any	47 µm	2.5 / 8.7 N	11 MPa

LEGISLATION:

The approval is valid for a maximum of five years, provided no modifications have been made to the packaging design, materials, dimensions, closure system or manner of construction. This certificate is liable to withdrawal at any time, to ensure validation check the published version on the Internet (www.net17025.com/Sertifisering/UN_ADR/cid/30758/).

NET issues the certification on described product according to delegated authority from Norwegian NET issues the certification on described product according to delegated authority from Norwegian Directorate for Civil Protection and Emergency Planning (DSB): Legal regulations for Transportation of Dangerous Goods on road and railway - 2023/4375 PRAX.

NET issues the certification on described product according to delegated authority from Norwegian Maritime Directorate (Sjøfartsdirektoratet) - 200705977-4/5367.1.

NET issues the certification on described product according to an agreement between Norwegian Civil Aviation Authority (Luftfartstilsynet) - 01.03.18 - 18/00114-8.

REGULATIONS BASED UPON FOR APPROVAL:

UN Recommendations on the Transport of Dangerous Goods.

ADR, European Agreement concerning the International Carriage of Dangerous Goods by Road.

RID, International Regulations on Transport of Dangerous Goods by Rail.

IMDG, International Maritime Dangerous Goods Code, for sea transport.

ICAO, Technical Instructions for the Safe Transport of Dangerous Goods by Air.

IATA, Dangerous Goods Regulations, for the air transport.

TESTS CARRIED OUT:

Prototype tests performed and approved according to the above regulations:

6.1.5.2.3 Preparation of packaging, relativ humidity

6.1.5.3 Drop test

6.1.5.6 Stacking test

APPROVAL IS VALID FOR:

The packaging shall always be used according to the requirement of the applicable UN-code and its packaging instruction.

Content	Max gross mass in packaging group I, kg	Explosive Judgement
Solids in a plastic bag	25 kg	Not approved
UN3268	26 kg	Approved

DOCUMENTS BASED UPON FOR APPROVAL:

Report id.	Date	Issued by	Scope
NET3251C2	22.01.19	NET	Type approval
NET3251C	29.01.19	NET	Type approval
NET32TE41	16.09.20	NET	Technical evaluation

VALIDITY:

The continued validity of the type approval requires that the holder of the certificate and/ or the manufacturer inform NET certification that has approved its type of packaging of any changes to the characteristics of the type or anything that can influence on the transport safety on the specific design so that it can be verified that the type of packaging continues to comply with packaging tested as base for the original type approval.

The validity of the type approval assume regular verification by means of periodic audits by NET in accordance with NET Doc 2: "Production control agreement". The packaging shall be manufactured, reconditioned and tested under a quality assurance program which satisfies NET Certification, in order to ensure that each packaging meets the requirements in ADR and the guidelines in NS-EN ISO 16106:2020.

TEST STANDARD:

All tests are performed in accordance with NET accredited test method ATM001. The test method is accredited in accordance with NS-EN ISO/IEC 17025:2017 approved by Norsk Akkreditering and according to NS-EN ISO 16495:2022 and NS-EN ISO 13274:2013.



BREVIK, NORWAY

07.08.2024

CERTIFICATE IS VALID UNTIL:

31.08.2029

Mathias Werner
Certification Officer



Rune Madsen Fink
Control Officer

Nordisk Emballasje Testing Certification