




**PRODUCT APPROVAL OF PACKAGING
FOR TRANSPORTATION OF DANGEROUS GOODS
CERTIFICATE NO.: NET6741A**

HOLDER OF CERTIFICATE:
Emballator Ulricehamns Bleck AB

MANUFACTURER: Emballator Ulricehamns Bleck AB, Maskinvägen 10, SE-52321 Ulricehamn, Sweden

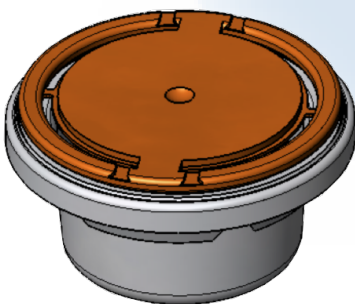
MARKING ON PACKAGING:  **1A1/X1.2 Y1.8 Z2.7/250/YR/N/NET6741-ID**
"YR" to be replaced with the two last digits of the year.
"ID" to be replaced by any identification as decided by the manufacturer.

PRODUCT:

Packaging code	Description	Material
1A1, Steel drum, non-removable head	Series 79 UN can	Steel Sheet

CLOSING MECHANISM:

Plastic Spout/ cap	Producer	Drawings	Material
P2	Bericap	P2	EVA/LDPE/HDPE
CR Hz 402	Stoltz	Hz 402 FAFZ KISI	EVA/LDPE/HDPE



DIMENSIONS:

Volume, l	Height, mm	Diameter, mm	Head / Body / Bottom, mm	Drawing
1.0	230	79	0.30 / 0.20 / 0.20	414079230
1.0	224	79	0.30 / 0.20 / 0.20	414079224
0.75	168	79	0.30 / 0.20 / 0.20	414079168
0.5	122	79	0.30 / 0.20 / 0.20	414079122

APPROVAL:

The certificate is valid for a maximum of five years, provided no modifications have been made to the packaging design, materials, dimensions, closure system or manner of construction. To ensure validation of the certificate, check the NET website.

NET issues the certification on described product according to delegated authority from Norwegian Directorate for Civil Protection and Emergency Planning (DSB): Legal regulations for Transportation of Dangerous Goods on road and railway - 06/6950-7/BJRU.

NET issues the certification on described product according to delegated authority from Norwegian Maritime Directorate (Sjøfartsdirektoratet) - 200705977-4/5367.1.

NET issues the certification on described product according to an agreement between Norwegian Civil Aviation Authority (Luftfartstilsynet) - 01.03.18 - 18/00114-8.

REGULATIONS BASED UPON FOR APPROVAL:

UN Recommendations on the Transport of Dangerous Goods.

ADR, European Agreement concerning the International Carriage of Dangerous Goods by Road.

RID, International Regulations on Transport of Dangerous Goods by Rail.

IMDG, International Maritime Dangerous Goods Code, for sea transport.

ICAO, Technical Instructions for the Safe Transport of Dangerous Goods by Air.

IATA, Dangerous Goods Regulations, for the air transport.

APPROVAL IS VALID FOR:

The packaging is valid for packaging group II and III containing liquid substances that do not adversely affect the packaging materials. The packaging shall always be used according to the requirements of the applicable UN-code and its packaging instructions.

Content	Max. relative density	Max. vapour pressure, kPa at +50°C	Packaging group
Liquid	1.2	200	I
Liquid	1.8	200	II
Liquid	2.7	200	III

DOCUMENTS BASED UPON FOR APPROVAL:

Report id.	Date	Issued by	Scope
95H12530	18.09.1995	SP	Type approval
98H60736	02.12.1998	SP	Additional type test, technical evaluation
P404432	21.12.2004	SP	Technical Evaluation
PX15958A	15.09.2011	SP	Additional type approval

PORSGRUNN, NORWAY

22.10.2019 CERTIFICATE IS VALID UNTIL:

31.10.2024



Geir Morten Johansen
Certification Officer



Rune Madsen Fink
Control Officer

Nordisk Emballasje Testing AS Certification

